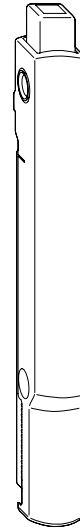



Opening limiter OBV

- For limiting the opening width independently of the control sequence
- Prevents the window from slamming shut
- Optimum child safety
- Turn opening possible by two-hand control
- Automatic retainer: when the window is closed from the turn position, the opening limiter clicks back into place
- Limits opening width to approx. 50 mm when mounted on locking side; variable opening width possible if fitted horizontally at the bottom of the window
- Easy mounting due to height-adjustable frame parts
- Easy to maintain as the adjustment scope of the frame component is +/- 3 mm

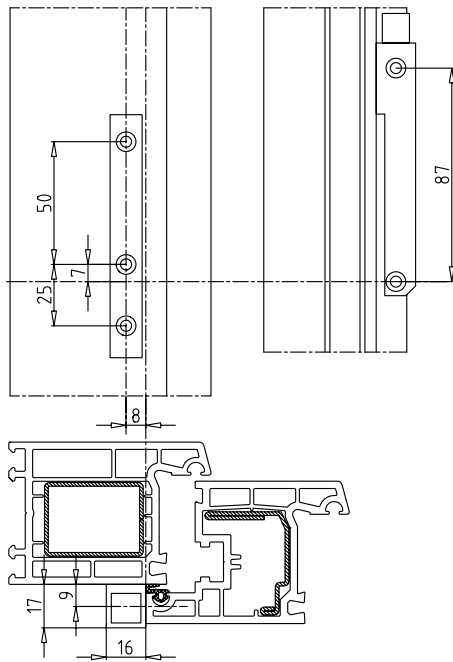


Opening limiter OBVA

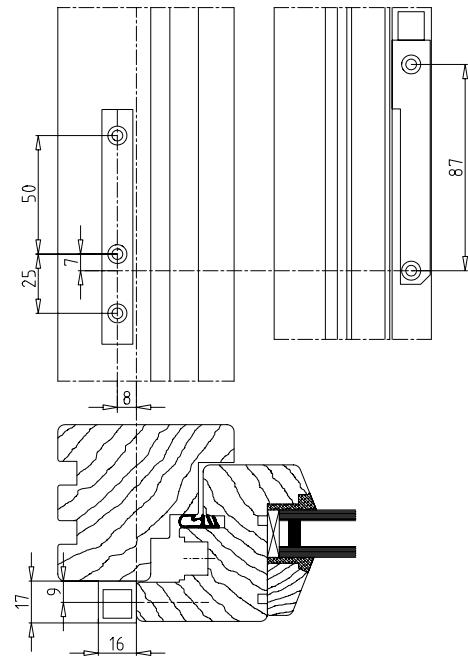
- Lockable version – Locking is made by means of Allen head screw
- Apart from that same construction as opening limiter OBV

Article description	Article No.		VPA1 Qty.	Type	VPA2 Qty.	Type	VPA3 Qty.	Type
OBV.SG	4929755	3	1	BL	100	KK	800	EK
OBV.WS	4929276	3	1	BL	100	KK	2400	EK
OBV.BR	4929277	3	1	BL	100	KK	800	EK
OBVA.ÄHNL.RAL9006	4929753	3	1	BL	100	KK	800	EK
OBVA.WS	4929278	3	1	BL	100	KK	800	EK
OBVA.BR	4929279	3	1	BL	100	KK	800	EK

PVC Window



Wooden Window



B-10-2: Drilling template opening limiter OBV