

SIKU 3D K 3235

for PVCu entrance doors with robust barbs for fixing



Product features

- for overlap thicknesses 21-25 mm
- door part with robust barbs for fixing
- 3D adjustment (side +/- 5,0 mm, height +/- 5,0 mm, compression +/- 2,0 mm)
- with integral security pin
- maintenance-free slide bearings

Technical details

Attributes	Value
Load capacity	120,0 kg
Knuckle length	105,0 mm
Knuckle diameter	24,0 mm
Pin diameter	10,0 mm

Note

The load capacity mentioned above refers to the use of 2 hinges per door leaf (1 x 2 m), for detailed information please look at the chapter "technical information".

For overlaps of 21-25 mm.

Quality marks



Certification CE

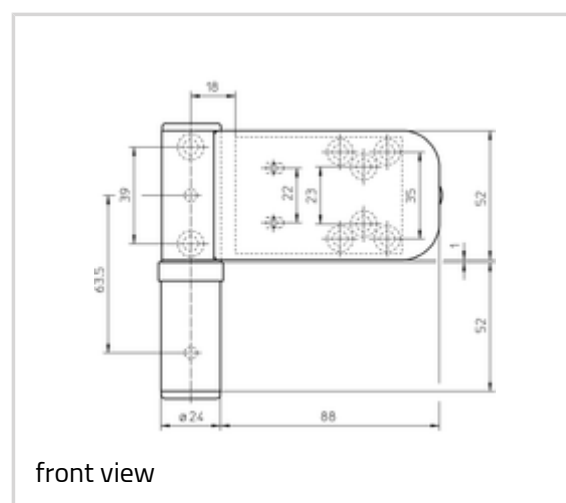


Certification IFT

Classification key

4	7	6	0	1	* ₆	1	13
---	---	---	---	---	----------------	---	----

⁶ depending on the finish



SIKU - SIKU 3D K 3235

Suitable for

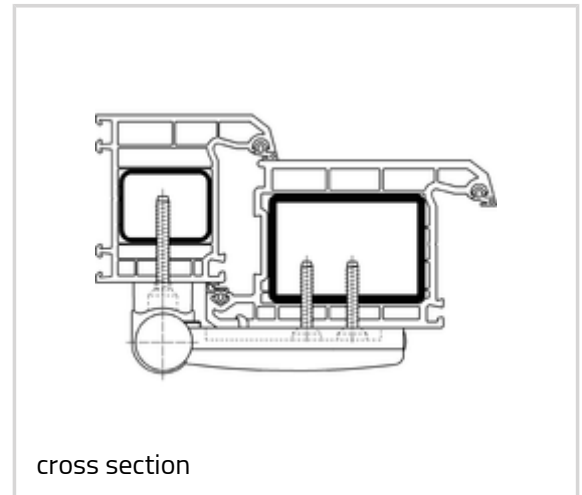
Telescope jig SIKU 3D K 3035,
K 3135, K 3235, K 3335

Drilling jig SIKU 3D K 3035, K
3135, K 3235, K 3335

Function range



burglar resistance



cross section

Item

Finish(es)	060-RAL 9006 White Aluminium
OF-NR.	060
VPE	pack of 12
DIN	DIN right and left hand
Item No.	5 190760 0 06023
EAN	4015471092153
Finish(es)	070-RAL 9016 Traffic White
OF-NR.	070
VPE	pack of 3
DIN	DIN right and left hand
Item No.	5 190760 0 07003
EAN	4015471085759
Finish(es)	070-RAL 9016 Traffic White
OF-NR.	070
VPE	pack of 12
DIN	DIN right and left hand
Item No.	5 190760 0 07023
EAN	4015471085766
Finish(es)	071-H9 Brown
OF-NR.	071

SIKU - SIKU 3D K 3235

VPE	pack of 12
DIN	DIN right and left hand
Item No.	5 190760 0 07123
EAN	4015471085773
Finish(es)	084-RAL 8003 Clay Brown
OF-NR.	084
VPE	pack of 12
DIN	DIN right and left hand
Item No.	5 190760 0 08423
EAN	4015471089849
Finish(es)	198-RAL 1036 Pearl Gold
OF-NR.	198
VPE	pack of 3
DIN	DIN right and left hand
Item No.	5 190760 0 19803
EAN	4015471119546